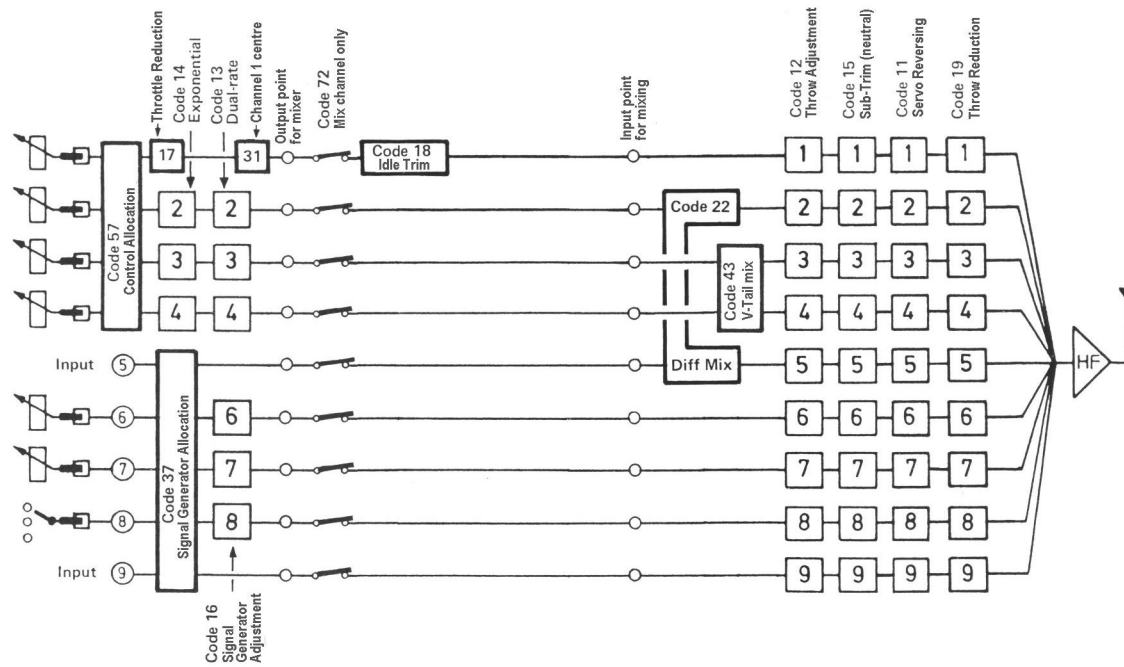
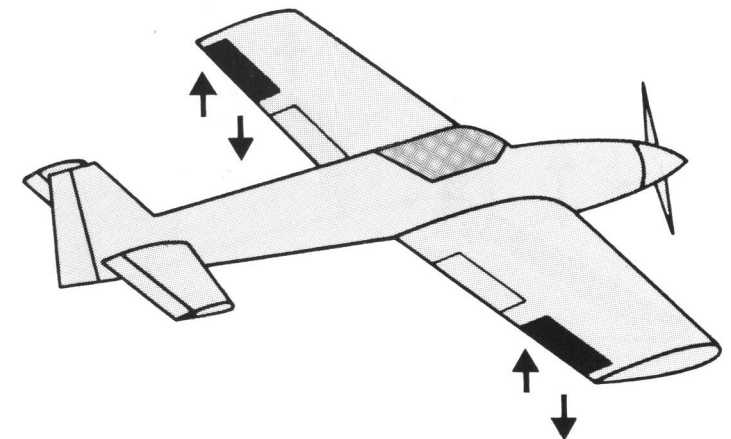
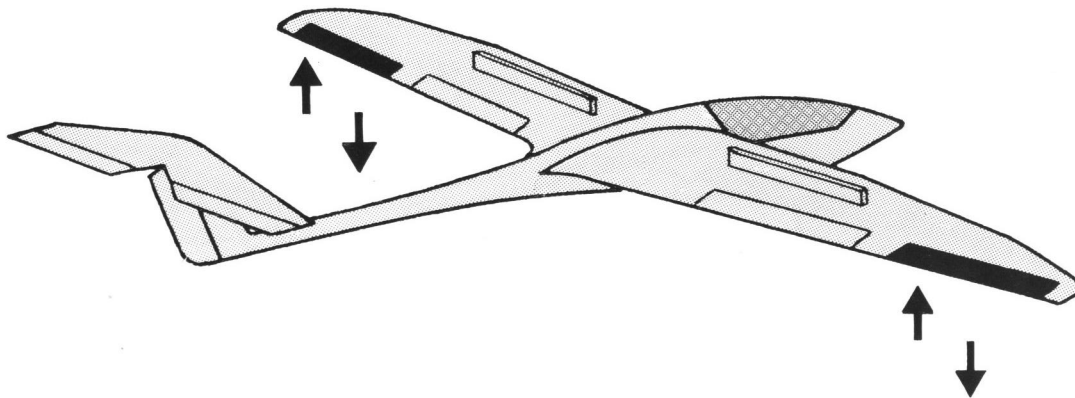
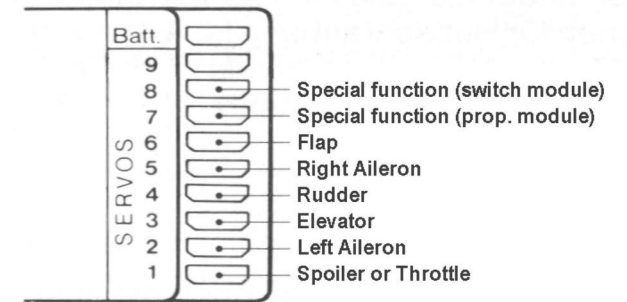


# Block Diagram – NORMAL/DIFF

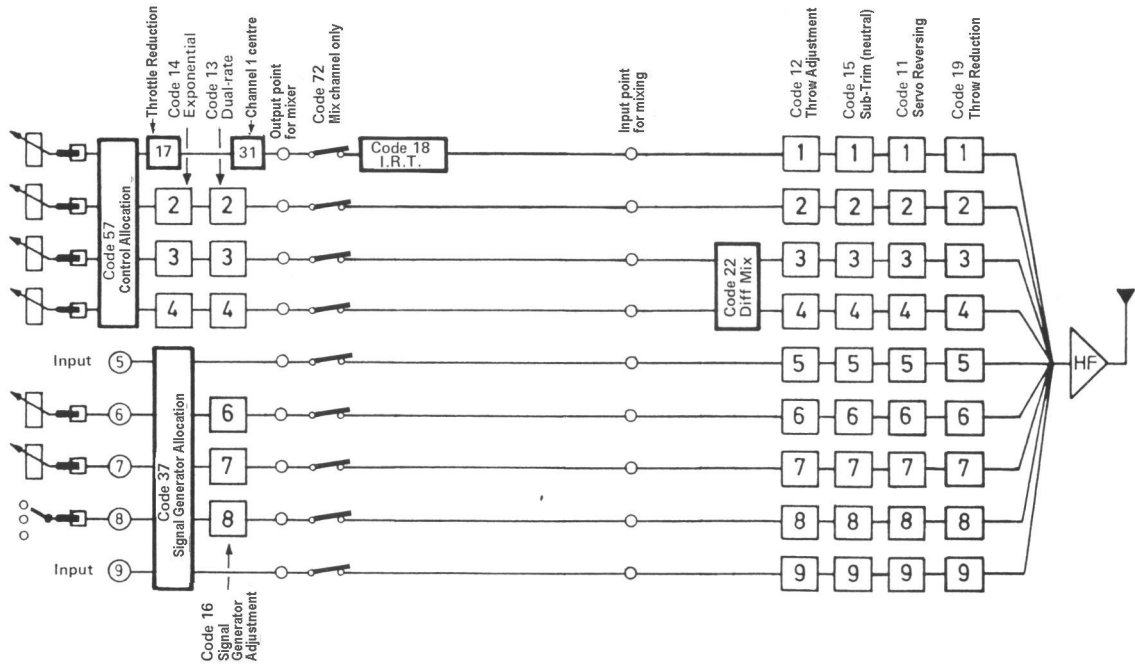


## Allocation of Receiver Outlets

The servos must be connected to the receiver outlets as shown below.



# Block Diagram – DELTA/DIFF



**Allocation of Receiver Outlets**  
 The servos must be connected to the receiver outlets as shown below.

